

# GalaxyNAS LX

## Galaxy LX Series Network Attached Storage System Quick Installation Guide





# GalaxyNAS LX

## Step 1. Verify contents of NAS shipment

The GalaxyNAS ships with the NAS storage system and power cable. A monitor, keyboard, cables, and ethernet cables are not supplied and must be provided by the user.

## Step 2. Install cables and hardware / Power up

Connect the power, ethernet cables, keyboard and monitor (they will be needed for setup only). See diagram A. Power up the GalaxyNAS by depressing the front center button [ near the LEDs] diagram B. Later you can run the server in the "headless mode" (without keyboard and monitor). Green LEDs for Power , Temp, PSU, and Fans should all be on.

## Step 3. Basic Setup, pre-configurations, and preparing for remote administration

The booting of the GalaxyNAS will bring you to a text menu screen showing you information on its network IP settings. If your network has a DHCP server then the GalaxyNAS should retrieve and assign network IP settings to the ethernet cards automatically. If your network does not contain a DHCP server, the GalaxyNAS will start with the default settings: IP address 192.168.0.220 and 192.168.1.220 with a netmask of 255.255.255.0. These values can be changed manually at the server terminal by using the following key sequence: left "CTRL" + left "ALT" + "N" and then hitting the "ENTER" key. You will then be prompted for the correct IP address and subnet mask. Now you can disconnect the display and keyboard of the server and continue with the remote configuration over ethernet.

## Step 4. Logging into Galaxy NAS

Connect to the GalaxyNAS via a network using any standard browser by typing the IP address into the URL entry line: <https://192.168.0.220> or the assigned DHCP IP address. Log into the GalaxyNAS with 'full privileges' using the standard password: "**galaxynas**". Now you can prepare the storage for shares.



**Note:** Password checking is case-sensitive. Also note that certain warning screens may appear based on the security of your site and browser. Click OK or check with your Administrator for the proper procedure.

## Step 5. Preparing logical volumes

The physical Raid volumes need to be made into volume groups which then get divided into logical volumes and network shares. To do this in the menu, select the **SETUP** tab and **DISK MANAGER** tab. Click on the 'units' icon on the left side of the screen. The **Unit Manager** function displays a list of available drives/arrays (units) that can be used. Click on the *Status* pull down on each of the units [S0, S1, etc] and select 'new' and 'add' which will create a new *Volume group*. Do the same procedure for all of the units. You should notice that the 'vg0' icon appears on the left side under 'units' .

Once completed, click on the 'vg0' icon. Scroll down the page to the **Share / Logical Volume Manager** function. Select the amount of storage you want this logical volume to have by using the < and > buttons. Verify the pull down is selecting 'new lv'. Hit apply to create the logical volume. Repeat for each volume you want to create.



**Note:** the total amount of storage does not have to be assigned at this time. Logical volumes [ shares ] can be created or even added to at any time as long as storage is available .

Finally, select the **RESOURCES** tab and click on the **Shares** icon on the left side of the display. The **Create New Share** function appears. Enter a name [ie accounting, inventory, pictures, etc] for the Share name and if needed a comment.



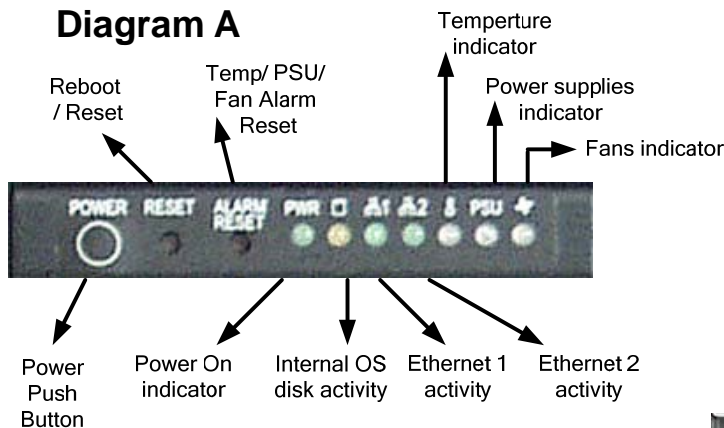
**Note:** the default path check box will make all shares available in the root path of the default Logical volume [ LV00]. The guest account allows all users to access this share without any restriction. Network users, security settings, and privileges for users can be set by following the manuals procedure for **AUTHENTICATION METHOD** in the **SETUP** tab **SERVER** settings

Click the 'CREATE' button and the share will be created and visible under the **Shares** icon. Under the **Shares** icon, click the share name that you just created and scroll down under SMB settings and change the user access to 'guest' by clicking button.

### Step 6. Your done! Start using Shares

Now you can start to explore the shares you just created by browsing 'My Network Places' on your desktop. These path names will be displayed as \\galaxynas\share\_name.

**Diagram A**



**Diagram B**

